

WORM DRIVE & SCREW CLAMPS



Worm Drive Hose Clip – British Style – HCL

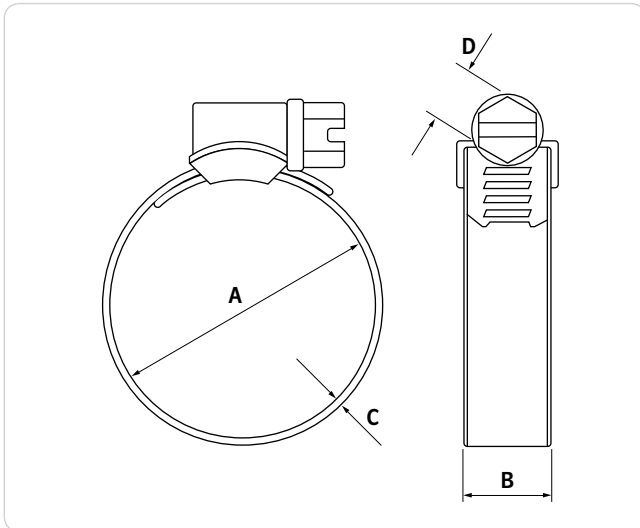
HCL supply a budget range of British Style Zinc Plated Worm Drive Clamps. These clamps are manufactured using a Spot Weld technique.

Applications

- Agricultural
- Automotive
- Fluid Transfer
- Hardware
- HVAC
- Plumbing & Sanitary
- White Goods
- General Industry

Materials – see section 7.2

- **W1** Zinc Plated Steel



HCL Part No	Diameter Range (A) mm	Band Width (B) mm	Band Thickness (C) mm	Hex Screw A/F (D) mm	Max Torque Nm	Box Quantity			
WD-BS-000-SW	10 – 16	9.7	0.8	7.0	3.5	1200			
WD-BS-00-SW	13 – 19					1000			
WD-BS-0-SW	16 – 25					1200			
WD-BS-0X-SW	19 – 29	11.7			0.8	7.0	4.5	600	
WD-BS-1A-SW	22 – 32								
WD-BS-1-SW	25 – 38								
WD-BS-1X-SW	32 – 44								
WD-BS-2A-SW	35 – 51								
WD-BS-2-SW	38 – 57								
WD-BS-2X-SW	44 – 64								
WD-BS-3-SW	51 – 70	5.0					0.8	7.0	300
WD-BS-3X-SW	64 – 76								
WD-BS-4-SW	70 – 89								
WD-BS-4X-SW	76 – 92								
WD-BS-5-SW	80 – 100		100						
WD-BS-5X-SW	90 – 110								
WD-BS-6-SW	100 – 120								
WD-BS-6X-SW	110 – 130								
WD-BS-7-SW	120 – 140								

All weights, dimensions & quantities are subject to a 2.5% tolerance.
To add material selection to the HCL Part No: for W1, add "W1".

Installation Tools



MT-D-01



MT-TD-01