

COMPENSATING CLAMPS



Rotor Spring Band Hose Clamp – Constant Tension

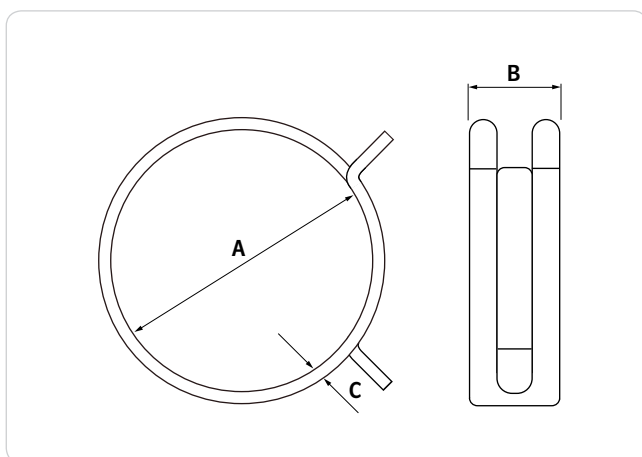
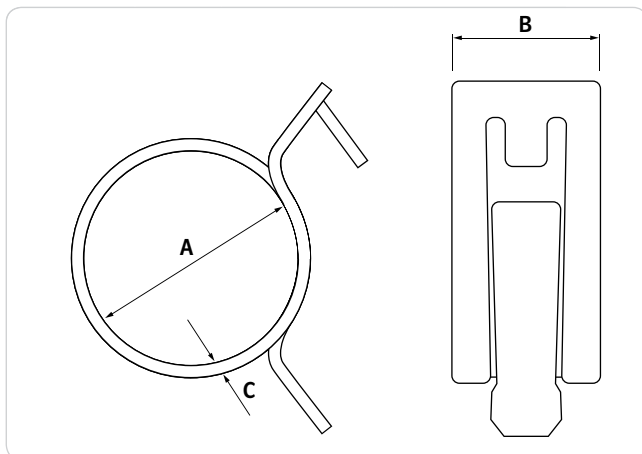
Constant tension clamps are ideal for many automotive, white goods and spa applications.

Applications

- Agricultural
- Automotive
- Vending
- White Goods
- General Industry

Materials – see section 7.2

- Steel with a Zinc rich paint coating
- Steel with a Dry Phosphate coating

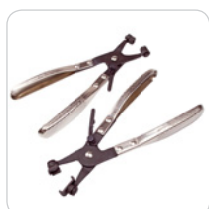


HCL Part No	Equivalent Rotor Clip Part No	Diameter Range (A) mm	Clamp Width (B) mm	Band Thickness (C) mm	Colour*
CTB-14.4	CTB-16	14.4 – 17.2	15.0	1.00	Black
CTB-15.2	CTB-17	15.2 – 18.5		0.85	Silver
CTB-17.8	CTB-19	17.8 – 20.0		1.30	Black or Silver
CTB-18.4	CTB-20	18.4 – 21.6			Black
CTB-20.5	CTB-22	20.5 – 24.5			Black or Silver
CTB-22.0	CTB-24	22.0 – 26.0		1.60	Silver
CTB-24.3	CTB-26	24.3 – 28.0			
CTB-25.2	CTB-27	25.2 – 28.9			
CTB-27.0	CTB-29	27.0 – 31.5		1.73	Silver
CTB-29.3	CTB-32	29.3 – 34.5			
CTB-31.5	CTB-35	31.5 – 38.0		1.90	Black
CTB-37.2	CTB-42	37.2 – 44.5			
CTB-40.5	CTB-46	40.5 – 48.5			
CTB-41.4	CTB-47	41.4 – 50.0		2.00	Black
CTB-43.5	CTB-50	43.5 – 53.0			

HCL Part No	Equivalent Rotor Clip Part No	Diameter Range (A) mm	Clamp Width (B) mm	Band Thickness (C) mm	Colour*
CTL-6.1	CTL-4.5	6.1 – 7.6	7.9	0.51	Black
CTL-7.7	CTL-5	7.7 – 8.8		0.76	
CTL-8.5	CTL-6	8.5 – 10.4		0.51	
CTL-9.5	CTL-6.5	9.5 – 11.4		0.64	Green
CTL-10.3	CTL-7	10.3 – 12.3			
CTL-11.7	CTL-8	11.7 – 13.8			
CTL-12.5	CTL-8.5	12.5 – 14.6		0.76	Black
CTL-13.2	CTL-9	13.2 – 15.4			
CTL-13.7	CTL-9.5	13.7 – 16.5			
CTL-14.8	CTL-10	14.8 – 17.0		9.5	1.02
CTL-15.8	CTL-10.5	15.8 – 18.4			
CTL-16.4	CTL-12	16.4 – 21.0			
CTL-19.1	CTL-13	19.1 – 22.9		1.14	Black
CTL-21.8	CTL-15	21.8 – 26.2			

All weights, dimensions & quantities are subject to a 2.5% tolerance.
*Clamp colour stated for general information only, the actual colour sent may differ according to stock received from supplier.

Installation Tools



MT-SC-TP-01



MT-SC-FR-01