

# WORM DRIVE & SCREW CLAMPS



## Mini Worm Drive Clip – Oetiker

Oetiker Mini Worm Drive Clips are manufactured in 304 Stainless steel and its compact design means that the space requirements are minimal. These clips are ideal for fitting into applications where space is at a premium.

### Oetiker Mini Worm Drive Clip – Other Features

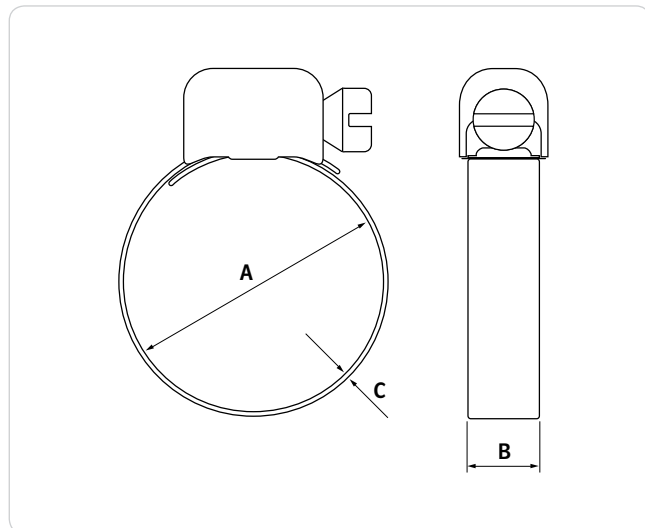
The mini worm drive clip features a cylindrical screw head which enables fast, simple and safe installation. In addition the clamp has an embossed band strip which reduces the risk of damage to the part being clamped.

### Applications

- Automotive
- Vending
- Aerations
- White Goods
- General Industry

### Materials – see section 7.2

- **W4** 304 SS



| HCL Part No     | Diameter Range (A) mm | Band Width (B) mm | Band Thickness (C) mm |
|-----------------|-----------------------|-------------------|-----------------------|
| MINI-WD-OET-7   | 7 – 11                | 5.0               | 0.40                  |
| MINI-WD-OET-11  | 11 – 19               |                   |                       |
| MINI-WD-OET-18  | 18 – 29               |                   |                       |
| MINI-WD-OET-28  | 28 – 39               |                   |                       |
| MINI-WD-OET-38  | 38 – 49               |                   |                       |
| MINI-WD-OET-48  | 48 – 59               |                   |                       |
| MINI-WD-OET-58  | 58 – 69               |                   |                       |
| MINI-WD-OET-68  | 68 – 79               |                   |                       |
| MINI-WD-OET-78  | 78 – 89               |                   |                       |
| MINI-WD-OET-88  | 88 – 99               |                   |                       |
| MINI-WD-OET-98  | 98 – 109              |                   |                       |
| MINI-WD-OET-108 | 108 – 119             |                   |                       |
| MINI-WD-OET-118 | 118 – 129             |                   |                       |
| MINI-WD-OET-128 | 128 – 139             |                   |                       |
| MINI-WD-OET-138 | 138 – 149             |                   |                       |
| MINI-WD-OET-148 | 148 – 159             |                   |                       |
| MINI-WD-OET-158 | 158 – 169             |                   |                       |
| MINI-WD-OET-168 | 168 – 179             |                   |                       |
| MINI-WD-OET-178 | 178 – 189             |                   |                       |
| MINI-WD-OET-188 | 188 – 199             |                   |                       |
| MINI-WD-OET-198 | 198 – 209             |                   |                       |
| MINI-WD-OET-208 | 208 – 219             |                   |                       |

All weights, dimensions & quantities are subject to a 2.5% tolerance. To add material selection to the HCL Part No: for W1, add "W1".

### Installation Tools



MT-D-01



MT-TD-01